



2007

CA. ELECTRICAL CODE
210.52

Section 210-52(b) requires two or more 20-A circuits for all receptacle outlets for the small appliance loads, including refrigeration equipment [see FPN following Section 210-8(a)(5)], in the kitchen, dining room, pantry, and breakfast room of a dwelling unit. Counter top receptacle outlets in kitchens are required to be supplied by no fewer than two small-appliance branch circuits. These circuits may also supply receptacle outlets in the pantry, dining room, and breakfast room as well as an electric clock receptacle, electric loads associated with gas fired appliances, or outdoor receptacles, but are to have no other outlets. See Sections 210-8(a)(3) and (a)(5) for GFCI requirements.

At least one additional 20-A branch circuit is required to be provided for the supply to the laundry receptacle outlet(s). This circuit is to have no other outlets. See Figure 210-29.

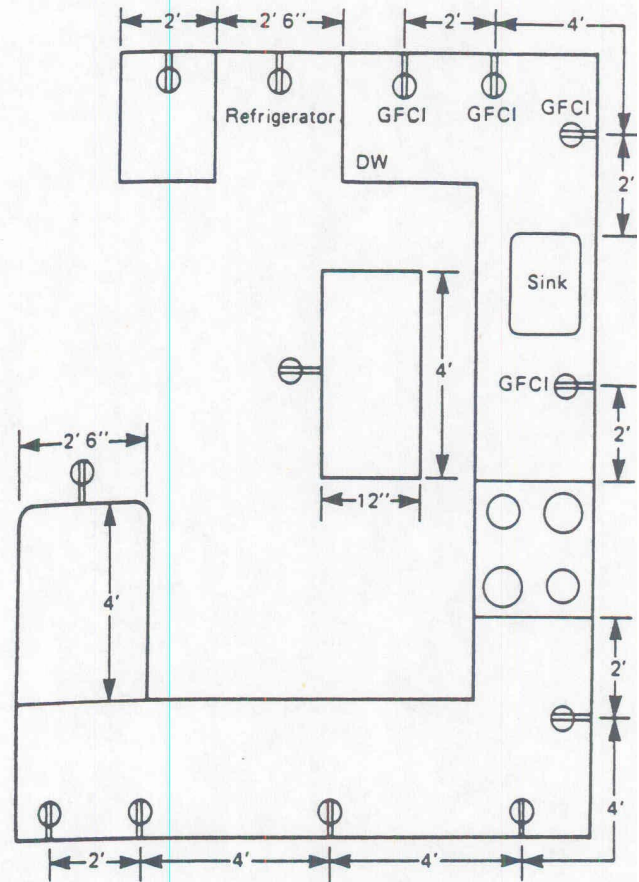
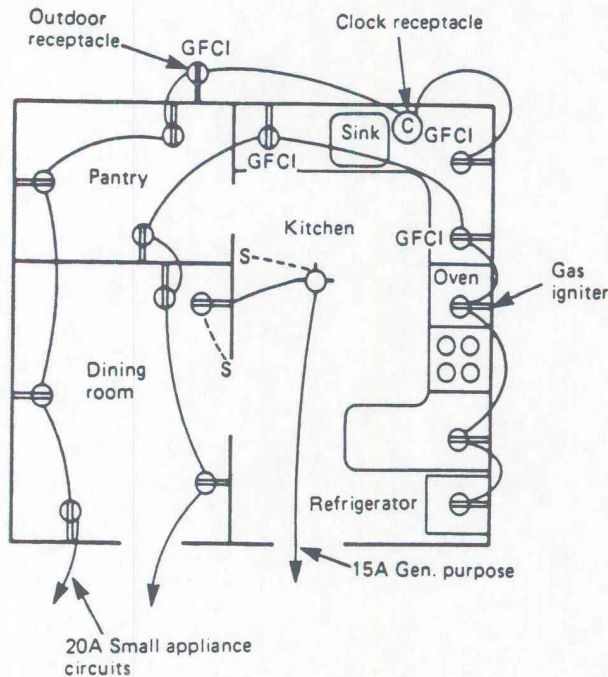


Figure 210-30. Section 210-52(c) requires a receptacle outlet at each counter space wider than 12 inches spaced so that no point along the wall line is more than 24 inches from a receptacle. Peninsular type counter tops are required to have one receptacle for each 4 feet of counter top. The measurement of a peninsular type counter top is from the edge connecting to the nonpeninsular counter. A receptacle outlet is required at each island-type counter top with a short dimension of at least 12 inches and a long dimension of at least 24 inches. A receptacle outlet is required for each 4 feet of island counter top space, so located that no point along the center line of the long dimension is more than 24 inches measured horizontally from the receptacle outlet.