

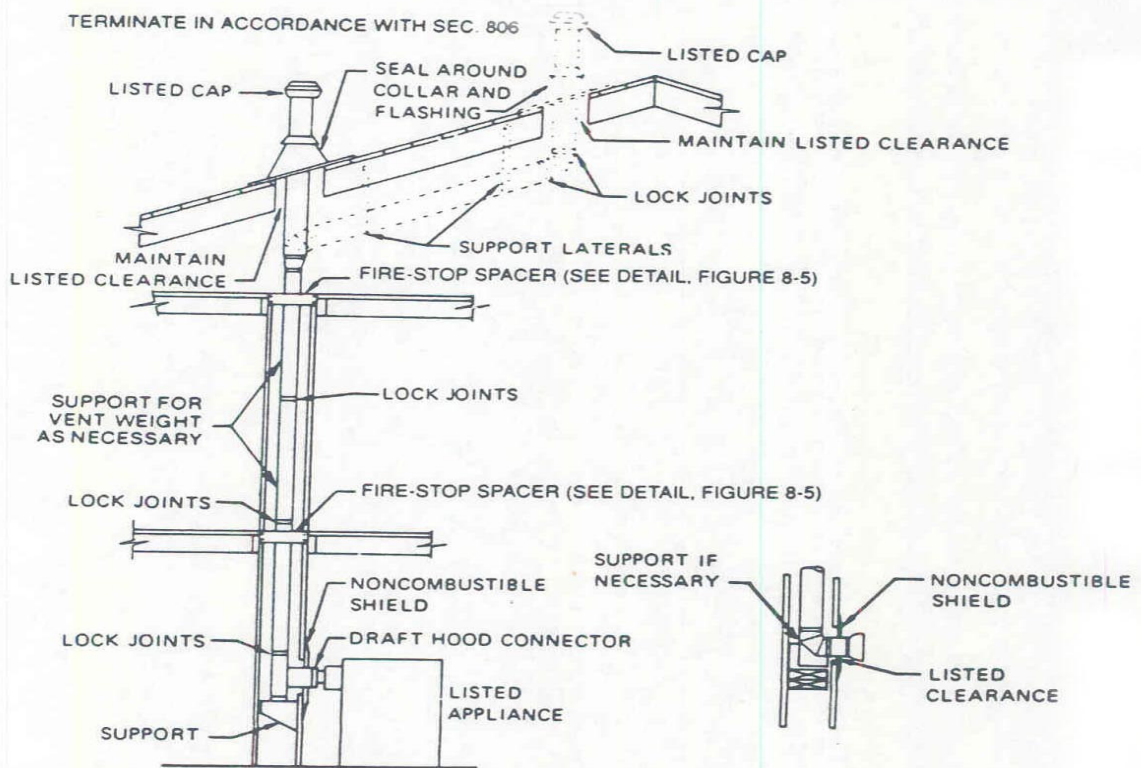


2007

CA MECHANICAL CODE  
802.6

CA BUILDING CODE

802.1, 802.10.9, 802.10.14,  
928.0

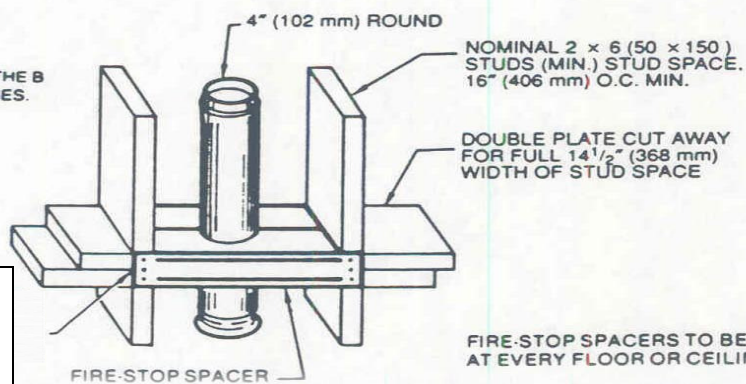


TYPICAL TYPE B ROUND VENTING SYSTEM

Figure 8-4

TERMS OF LISTING: B-1  
TYPE B ROUND

THE NUMBER FOLLOWING THE B  
IS THE CLEARANCE IN INCHES.



FIRE-STOP SPACERS TO BE USED  
AT EVERY FLOOR OR CEILING

Fire stop spacer nailed to plate at both ends. The spacer illustrated does not meet the requirements of CBC Section 2308.9.8