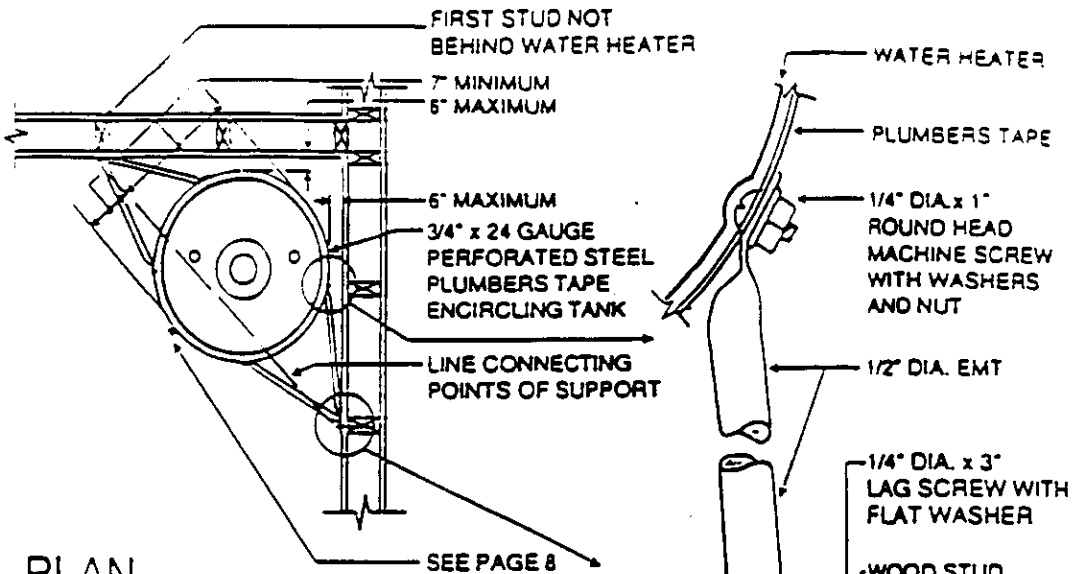
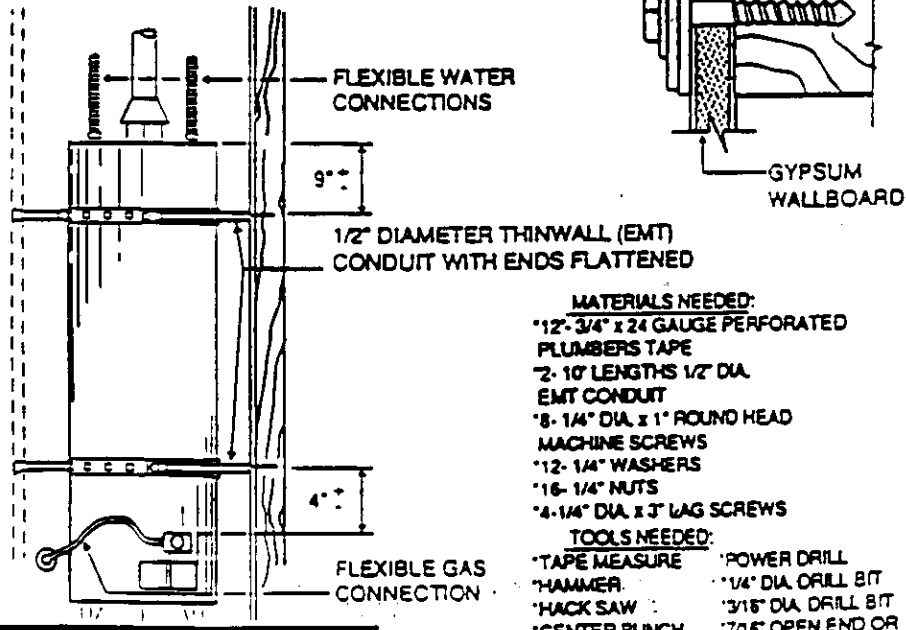




# WATER HEATER BRACING CORNER



PLAN



ELEVATION

- MATERIALS NEEDED:**
- \*12- 3/4" x 24 GAUGE PERFORATED PLUMBERS TAPE
  - \*2- 10' LENGTHS 1/2" DIA. EMT CONDUIT
  - \*8- 1/4" DIA. x 1" ROUND HEAD MACHINE SCREWS
  - \*12- 1/4" WASHERS
  - \*16- 1/4" NUTS
  - \*4- 1/4" DIA. x 3" LAG SCREWS

- TOOLS NEEDED:**
- \*TAPE MEASURE
  - \*HAMMER
  - \*HACK SAW
  - \*CENTER PUNCH
  - \*STUD FINDER
  - \*POWER DRILL
  - \*1/4" DIA. DRILL BIT
  - \*3/16" DIA. DRILL BIT
  - \*7/16" OPEN END OR ADJUSTABLE WRENCH