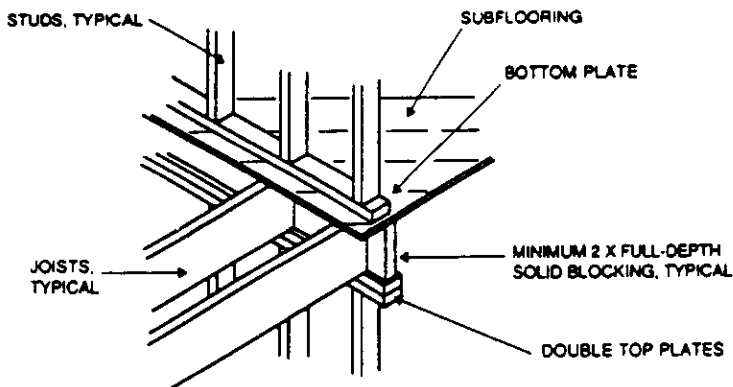
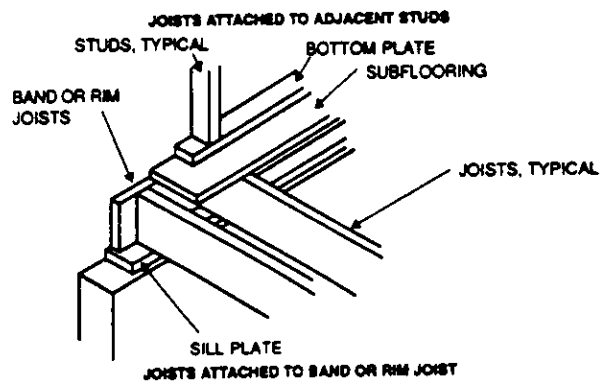
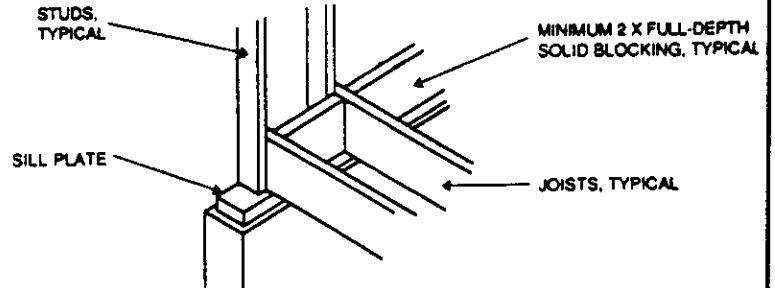
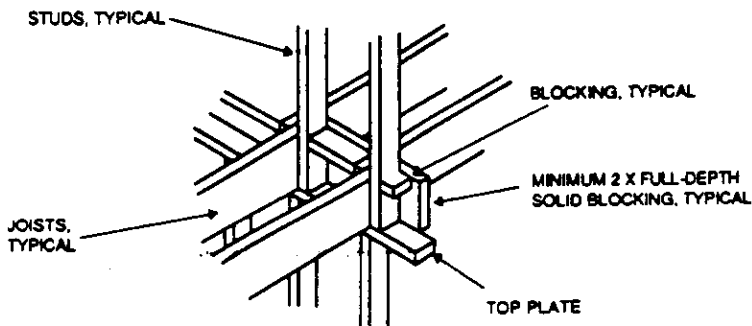




# FLOOR JOISTS



JOISTS LAPPED OVER PARTITION WITH BLOCKING BETWEEN JOISTS



JOISTS LAPPED OVER PARTITION AND NAILED TO ADJOINING STUD