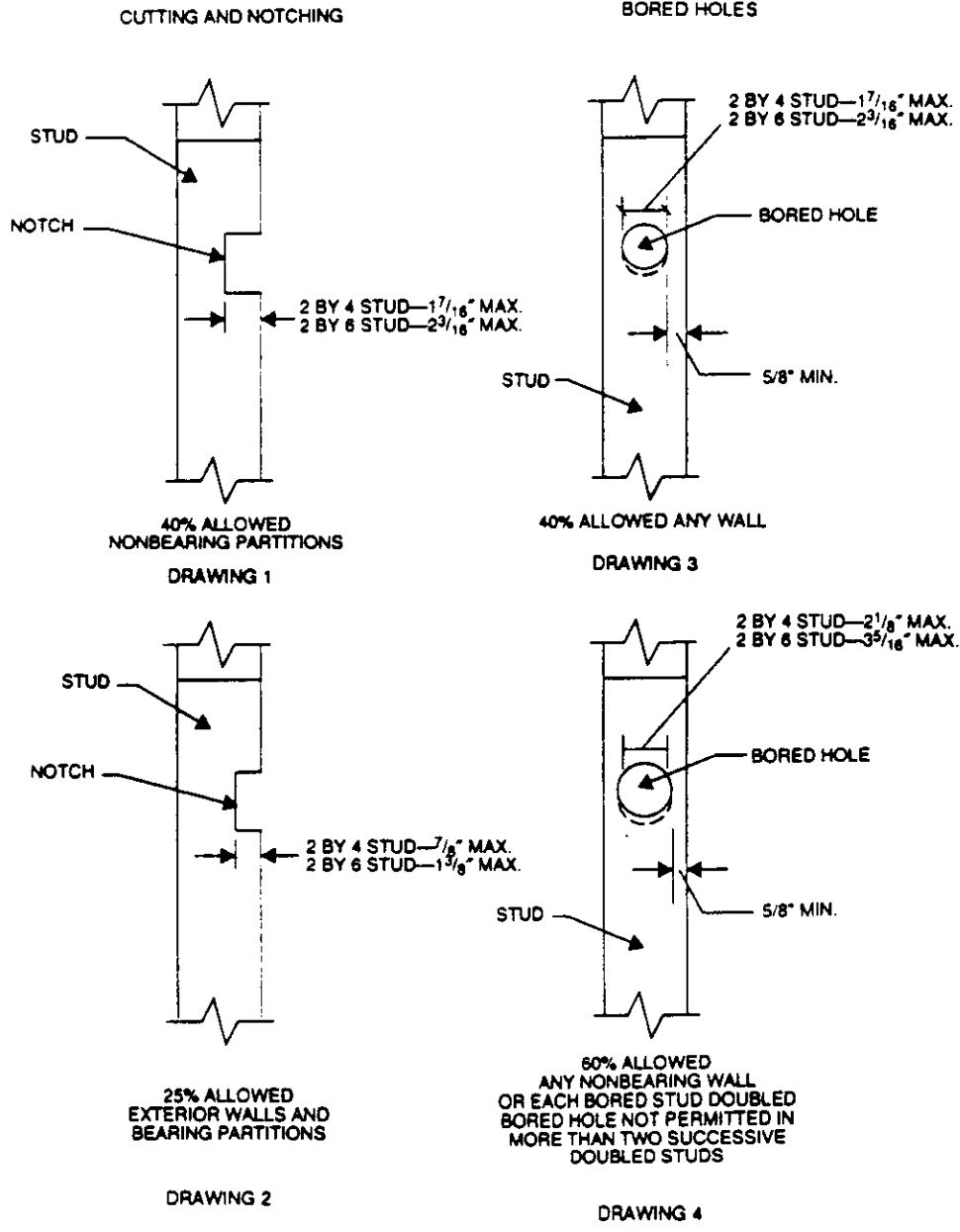




NOTCHING/BORING



**MAXIMUM ALLOWED NOTCHING AND DRILLING
 FOR NORMAL CONSTRUCTION WITH 2 BY 4 STUD**

Figure 2326-23