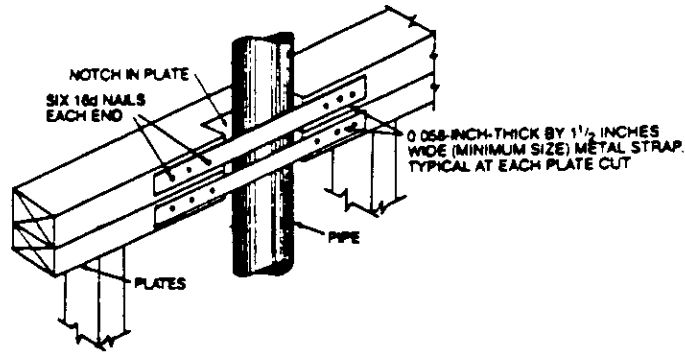
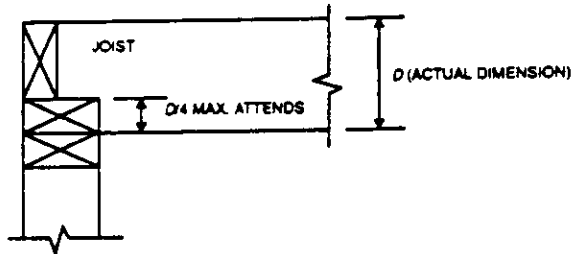


NOTCHING/BORING

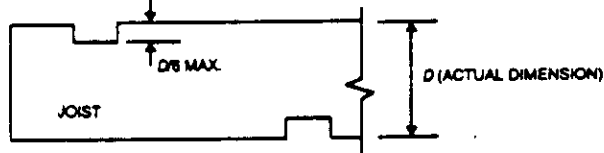


For SI: 1 inch = 25.4 mm.

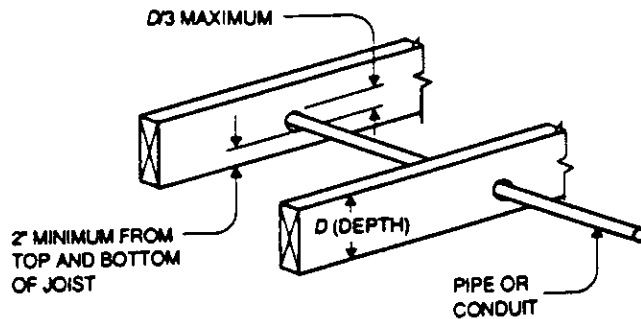
PLATE FRAMING TO ACCOMMODATE PIPING



NOTE: NOTCHING NOT PERMITTED IN MIDDLE 1/3 OF SPAN



CUTTING AND NOTCHING LIMITATIONS



NOTCHING AND BORING LIMITATIONS—FLOOR JOISTS